

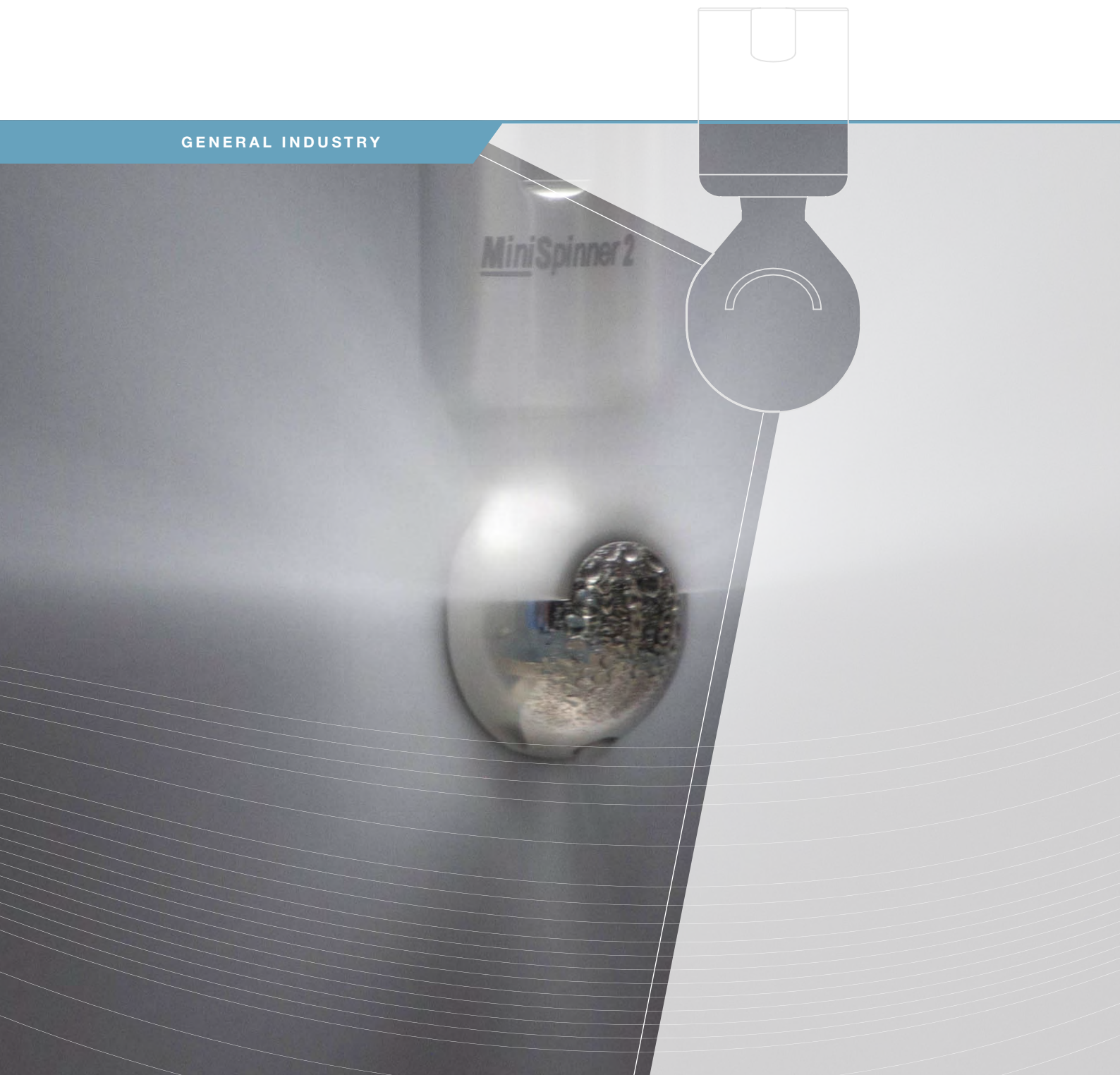
ENGINEERING
YOUR SPRAY SOLUTION



➤➤ ROTATING CLEANING NOZZLES SPINNER 2

Series 5M1, 5M2, 5M3, 5M4

GENERAL INDUSTRY





THE NEW LECHLER QUARTET IN 2ND GENERATION: HYGIENIC DESIGN FOR MANY TANK SIZES

The four newly developed rotating cleaning nozzles of the series Spinner 2 convince with their extremely hygienic welding design. The series of the 2nd Spinner generation is completely made of stainless steel (316L) and therefore also suitable for higher ambient temperatures. The four tank cleaning nozzles are available in many different flow rates and spray angles as well as with different connection possibilities.

Key Features

- High surface finish as standard
- Suitable for high ambient temperatures
- High corrosion resistance
(Completely made of stainless steel 316L)
- ATEX version available





Rotating cleaning nozzle NanoSpinner2 Series 5M1



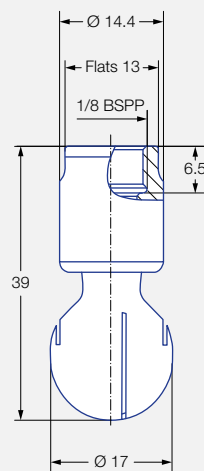
Features:

- Compact design for confined spaces
- Hygienic design
- Suitable for high temperatures
- Made entirely of stainless steel



**ATEX version
available on
request**

Series 5M1



Female thread

Max. tank diameter [m]	0	1	2	3	4	5	6	7	8	9
------------------------	---	---	---	---	---	---	---	---	---	---

Cleaning efficiency class
2

Max. temperature
250 °C

Installation
Operation in every direction is possible

Bearing
Double ball bearing made of stainless steel 316L


Material
Stainless steel 316L

Recommended operating pressure
2 bar

Filtration
Line strainer with a mesh size of 0,1mm/170 mesh

Function video
www.lechler.com/de-en/medialibrary
Or scan the QR Code.



Spray angle	Ordering number	Narrowest free cross section \varnothing [mm]	\dot{V} water [l/min]				Max. tank diameter [m]
	Type 1/8 BSPP		p [bar] ($p_{max} = 7$ bar)				
			1.0	2.0	3.0	at 40 psi [US gal/min]	
360° 	5M1.879.1Y.AB	0.4	11	15	18	5	1.4
	5M1.929.1Y.AB	0.5	14	20	25	6	1.6

NPT thread available on request.

The maximum tank diameter applies to the recommended operating pressure and is meant as a recommendation only.
The cleaning result is also affected by the type of soiling.

Compressed air should be used for dry blowing for a short time only. Operation above the recommended operating pressure has a negative impact on the cleaning result and wear.

NanoSpinner 2

Rotating cleaning nozzle MicroSpinner 2 Series 5M2



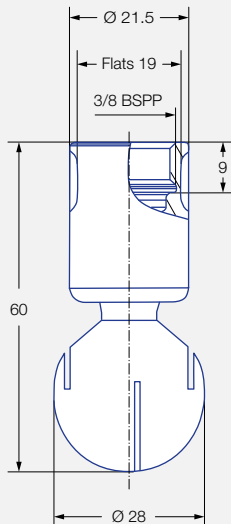
Features:

- Hygienic design
- Suitable for high temperatures
- Made entirely of stainless steel

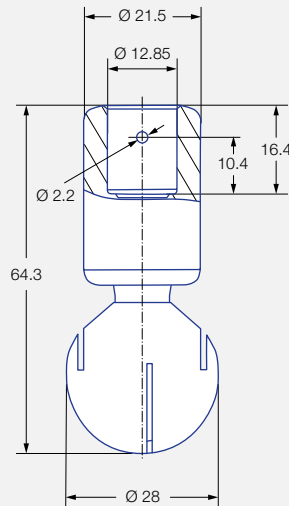


**ATEX version
available on
request**

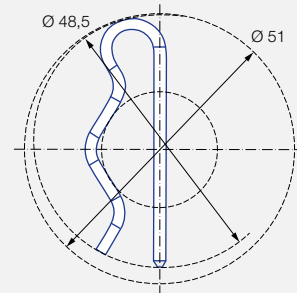
Series 5M2



Female thread



Dimensions of the
slip-on connection according
to ASME-BE (OD-tube)



Dimensions of the
slip-on connection
top view

Max. tank diameter [m]	0	1	2	3	4	5	6	7	8	9
------------------------	---	---	---	---	---	---	---	---	---	---



Cleaning efficiency class
2



Max. temperature
250 °C



Installation
Operating in every direction possible



Bearing
Double ball bearing made of stainless steel 316L



Material
Stainless steel 316L



Recommended operating pressure
2 bar



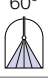


Filtration
Line strainer with a mesh size of 0,1mm/170 mesh



Adapter
3/8 BSPP is compatible with HygienicFit

Function video
www.lechler.com/de-en/medialibrary
Or scan the QR Code.



Spray angle	Ordering number			Narrowest free cross section \varnothing [mm]	V water [l/min]				Max. tank diameter [m]
	Type	Connection			p [bar] (p _{max} = 7 bar)				
		3/8 BSPP	1/2"-Slip-on		1.0	2.0	3.0	at 40 psi [US gal/min]	
60° 	5M2.952.1Y	AF	TF05	1.5	16	23	28	7	-
	5M2.042.1Y	AF	TF05	3.0	28	40	49	12	-
180° 	5M2.004.1Y	AF	TF05	0.9	22	32	39	10	1.8
360° 	5M2.969.1Y	AF	TF05	0.8	18	25	31	8	1.7
	5M2.049.1Y	AF	TF05	0.9	28	39	48	12	1.8

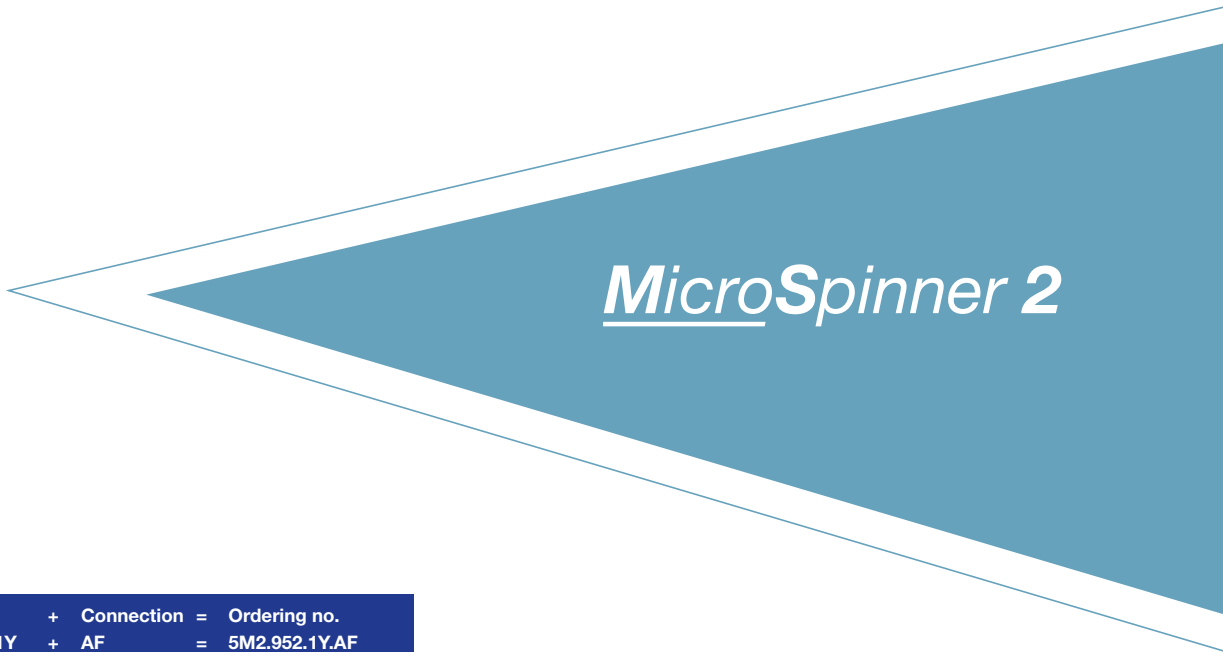
NPT thread, weld-on and further slip-on versions on request.

The max. tank diameter shown above applies for the recommended operating pressure and has to be seen as a recommendation. The cleaning result is also affected by the type of soiling.

Operating with compressed air only for short-term usage. Operation above the recommended operating pressure has negative effects on the cleaning result and wear.

Information slip-on connection

- Pin made of stainless steel 316L included (ordering no. 05M.230.1Y.00.00.0).
- Depending on diameter of the adapter, the flow rate increase due to leakage between connecting pipe and rotating cleaning nozzle.
- Minimum insertion diameter (with mounted pin) is 48,5 mm



Example of ordering: Type 5M2.952.1Y + Connection AF = Ordering no. 5M2.952.1Y.AF

Rotating cleaning nozzle MiniSpinner 2 Series 5M3



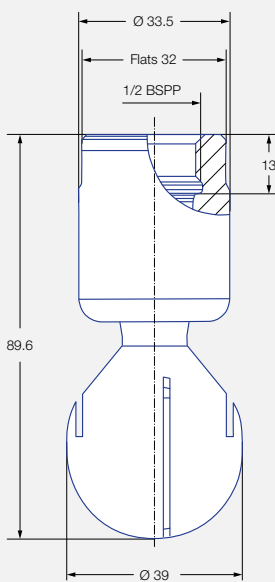
Features:

- Hygienic design
- Suitable for high temperatures
- Made entirely of stainless steel

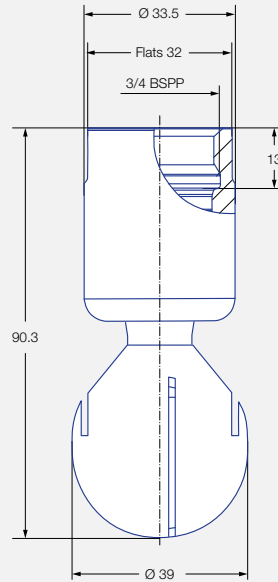


**ATEX version
available on
request**

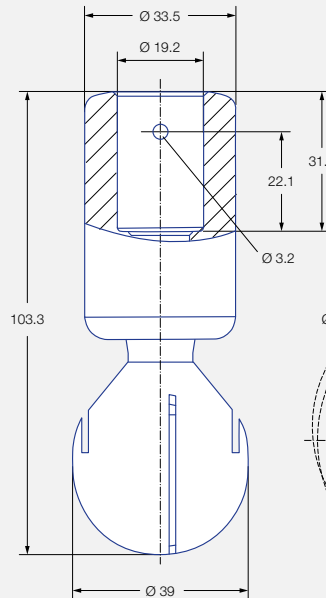
Series 5M3



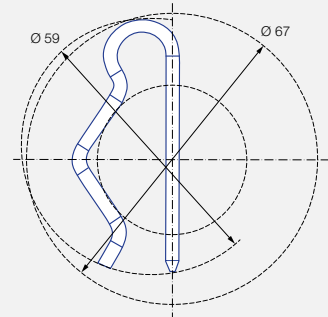
Female thread



Female thread



Dimensions of the
slip-on connection according
to ASME-BE (OD-tube)



Dimensions of the
slip-on connection
top view

Max. tank diameter [m]	0	1	2	3	4	5	6	7	8	9
------------------------	---	---	---	---	---	---	---	---	---	---

Cleaning efficiency class
2

Max. temperature
250 °C

Installation
Operating in every direction possible

Bearing
Double ball bearing made of stainless steel 316L

Material
Stainless steel 316L





Recommended operating pressure
2 bar

Filtration
Line strainer with a mesh size of 0,1mm/170 mesh

Adapter
1/2 BSPP and 3/4 BSPP are compatible with HygienicFit

Function video
www.lechler.com/de-en/medialibrary
Or scan the QR Code.



Spray angle	Ordering no.				Narrowest free cross section \varnothing [mm]	\dot{V} water [l/min]				Max. tank diameter [m]
	Type	Connection				p [bar] ($p_{max} = 7$ bar)				
		1/2 BSP	3/4 BSP	3/4"-Slip-on		1.0	2.0	3.0	at 40 psi [US gal/min]	
60° 	5M3.122.1Y	AH		TF07	2.6	45	63	77	20	-
180° 	5M3.133.1Y		AL	TF07	1.2	47	67	82	21	2.6
180° 	5M3.134.1Y		AL	TF07	1.3	47	67	82	21	2.6
360° 	5M3.999.1Y		AL	TF07	0.4	21	30	37	9	1.8
	5M3.089.1Y		AL	TF07	0.7	35	49	60	15	2.1
	5M3.139.1Y		AL	TF07	0.8	49	69	85	21	2.3
	5M3.209.1Y		AL	TF07	1.5	71	100	122	31	2.6

NPT thread, weld-on and further slip-on versions on request.

The max. tank diameter shown above applies for the recommended operating pressure and has to be seen as a recommendation. The cleaning result is also affected by the type of soiling.

Operating with compressed air only for short-term usage. Operation above the recommended operating pressure has negative effects on the cleaning result and wear.

Information slip-on connection

- Pin made of stainless steel 316L included (Ordering no. 05M.330.1Y.00.00.0).
- Depending on diameter of the adapter, the flow rate increase due to leakage between connecting pipe and rotating cleaning nozzle.
- Minimum insertion diameter (with mounted pin) is 59 mm.

MiniSpinner 2

Example Type + Connection = Ordering no.
of ordering: 5M3.122.1Y + AH = 5M3.122.1Y.AH

Rotating cleaning nozzle MaxiSpinner 2 Series 5M4



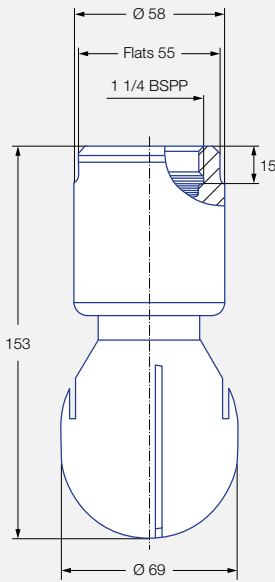
Features:

- Hygienic design
- Suitable for high temperatures
- Made entirely of stainless steel

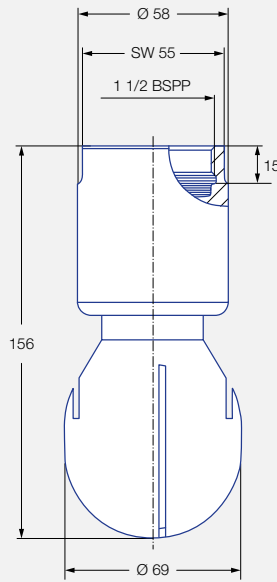


**ATEX version
available on
request**

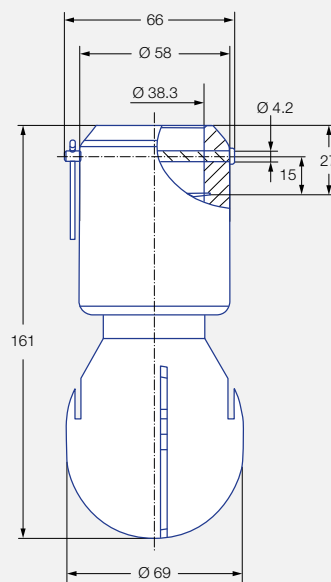
Series 5M4



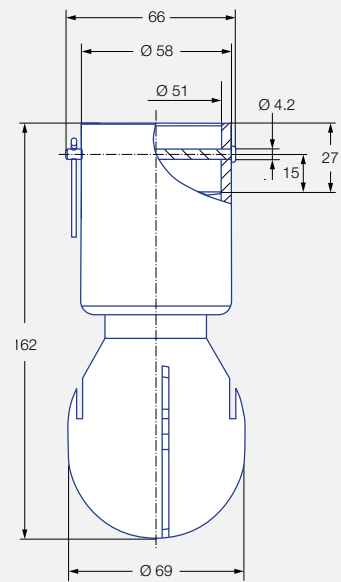
Female thread



Female thread



Dimensions of the
1 1/2" slip-on connection according
to ASME-BE (OD-tube)



Dimensions of the
2" slip-on connection according
to ASME-BE (OD-tube)

Max. tank diameter [m]	0	1	2	3	4	5	6	7	8	9
------------------------	---	---	---	---	---	---	---	---	---	---

Cleaning efficiency class
2

Max. temperature
250 °C

Installation
Operating in every direction possible

Bearing
Double ball bearing made of stainless steel 316L

Material
Stainless steel 316L


Recommended operating pressure
2 bar

Filtration
Line strainer with a mesh size of 0,1mm/170 mesh

Adapter
1 1/4 BSPP and 1 1/2 BSPP are compatible with HygienicFit

Function video
www.lechler.com/de-en/medialibrary
Or scan the QR Code.



Spray angle	Ordering no.					Narrowest free cross section \varnothing [mm]	\dot{V} water [l/min]				Max. tank diameter [m]
	Type	Connection					p [bar] ($p_{max} = 7$ bar)*				
		1 1/4 BSP	1 1/2 BSP	1 1/2" Slip-on	2"- Slip-on		1,0	2,0	3,0	at 40 psi [US gal/min]	
360° 	5M4.279.1Y	AQ	AS	TF15	TF20	1.7	107	150	184	46	4.0
	5M4.329.1Y	AQ	AS	TF15	TF20	2.0	141	200	245	62	4.5
	5M4.369.1Y	AQ	AS	TF15	TF20	2.3	177	250	306	78	5.0

NPT thread and weld-on versions on request.

* Please note the maximum operating pressure of 4 bar for the 2" slip-on connection.

The max. tank diameter shown above applies for the recommended operating pressure and has to be seen as a recommendation. The cleaning result is also affected by the type of soiling

Operating with compressed air only for short-term usage. Operation above the recommended operating pressure has negative effects on the cleaning result and wear.

Information slip-on connection

- Bolt with head incl. pin made of stainless steel 316L included (Ordering no. 05M.431.1Y.00.00.0).
- Depending on diameter of the adapter, the flow rate increase due to leakage between connecting pipe and rotating cleaning nozzle.
- Minimum insertion diameter (with mounted bolt) is the same as for the threaded variants 69 mm.

MaxiSpinner 2

Example Type + Connection = Ordering no.
of ordering: 5M4.369.1Y + AQ = 5M4.369.1Y.AQ

**ENGINEERING
YOUR SPRAY SOLUTION**



Lechler GmbH · Precision Nozzles · Nozzle Systems
Ulmer Strasse 128 · 72555 Metzingen, Germany · Phone +49 7123 962-0 · info@lechler.de · www.lechler.com

Edition 09/21 · EN · PDF
Subject to technical modifications or mistakes.